



E-GUN

C2 Manual Powder Coating Gun
User Guide



© 2019 Sistem Teknik Makina A.Ş.
All rights reserved.
10010 St. No: 10
35470
İTOB Menderes
İzmir TURKEY

No part of this document may be reproduced or transmitted in any form or by any means, electronic or mechanical, for any purpose, without the express written permission of Sistem Teknik Makina San. Ve Tic. A.Ş. Under the law, reproducing includes translating into another language or format.

As between the parties Sistem Teknik Makina San. ve Tic. A.Ş. retains title to, and ownership of, all proprietary rights with respect to the software contained within its products. The software is protected by International copyright laws and international treaty provision. Therefore, you must treat the software like any other copyrighted material (e.g. a book or sound recording).

Every effort has been made to ensure that the information in this manual is accurate. Sistem Teknik Makina San. Ve Tic. A.Ş. is not responsible for printing or clerical errors. Information in this document is subject to change without notice.

Table of Contents

1- Safety Regulations	5
1-1 Safety Symbols	5
1-2 Conformity of Use	5
1-3 Special Types of Hazard	6
1-4 Safety Requirements for Electrostatic Powder Coating	6
2- E-GUN C2 General Information	7
2-1 Field of Application	7
2-2 Technical Data	9
2-3 Design and Functions	10
2-4 Optional Attachments	12
2-5 Working Principle	14
2-5-1 High Voltage Generation	14
2-5-2 Flat Type Nozzle Structure	14
2-5-3 Deflector Type Nozzle Structure	15
3- Start Up	16
3-1 System Connections	16
3-2 Operation	17
3-2-1 Trigger	17
4- Cleaning and Maintenance	19
4-1 Cleaning	19
4-1-2 Gun Body Cleaning	19
4-1-3 Nozzle Cleaning	19
4-2 Maintenance	20
4-2-1 Part Change	20
5- Troubleshooting	21
6- Spare Parts List	22
7- Service and Maintenance Table	34
8- Product Life and Warranty	35

1- Safety Regulations

This section sets out the fundamental safety regulations that must be followed by the user and third parties using the E-COAT Pro V2. These safety regulations must be read and understood before the E-COAT Pro V2 is used.

1. Safety Symbols

The following warnings with their meanings can be found in the Sistem Teknik Makina operating instructions. The general safety precautions must also be followed as well as the regulations in the operating instructions.



DANGER!

Live electricity or moving parts are dangerous.
Possible Consequences: Death or serious injury.



WARNING!

Improper use of the equipment could damage the machine or cause it to malfunction.
Possible consequences: Minor injuries or damage to equipment.

2. Conformity of use

1. E-GUN C2 Manual Coating Gun is built to the latest specification and conforms to the recognized technical safety regulations. It is designed for the normal application of powder coating.
2. Any other use is considered as non-conform. The manufacturer is not responsible for damage resulting from improper use of this equipment; the end-user alone is responsible. If the E-GUN C2 is to be used for other purposes or other substances outside of our guidelines then Sistem Teknik Makina A.Ş. should be consulted.
3. Observance of the operating, service and maintenance instructions specified by the manufacturer is also part of conformity of use. The E-GUN C2 should only be used, maintained and started up by trained personnel, who are informed about and are familiar with the possible hazards involved.
4. Start-up is forbidden until it has been established that the E-GUN C2 has been set up and wired according to the guidelines for machinery EN 60204-1 (machine safety) must also be observed.

3. Special Types of Hazard

1. Power: All the high voltage equipment should be unplugged before opened. This is a huge life risk thus it has to be taken under great care.
2. Powder: Powder/air mixtures could be ignited by sparks. Sufficient ventilation is a must while using powder spraying equipment. Powder, which is not swept from the floor creates risky environment.
3. Static Charges: These could result in the following: Charges to people, electric shocks, sparks. Charging of objects has to be avoided.
4. Grounding: All electricity conducting parts and machinery in the workplace must be earthed 1.5 mt on either side and 2.5 mt around each booth opening. The grounding resistance must amount to a maximum of 1 M Ohm. Resistance has to be tested regularly. The appropriate devices must be kept in the workplace for regular grounding checks.
5. Compressed Air: Compressed air could be created after long pauses of the equipment and this creates risk of pneumatic hose damage or uncontrolled release and improper use of compressed air. Compressed air should be drained properly.

4. Safety Requirements for Electrostatic Powder Coating

1. All the equipment used for powder coating is dangerous unless the instructions are not conformed.
2. Every electrostatic conductive part must be earthed within the 5 meter radius from the equipment.
3. The floor of the coating area should conduct electricity (Concrete is generally a conductive surface, check with your building project for more info)
4. The users should wear electricity conducting footwear.
5. The guns are earthed thus you must use them with your bare hands. If gloves are going to be used, make sure that they conduct electricity.
6. Grounding cable must be connected to the grounding screw of the electrostatic powder spraying hand appliance. It should have a good connection with the booth, hopper and conveyor chain (if used).
7. E-COAT Pro V2 Device must be switched off while the hand gun is being cleaned.
8. The grounding must be checked every week. Remember that the grounding resistance must be 1 M Ohm at a maximum.

2- E-GUN C2 General Information



Note: E-GUN C2 Manual Powder Coating Gun includes a 5 mt powder transfer cable.

2-1. Field of Application

E-GUN C2 Manual Powder Coating Gun is designed to use with the organic coating powder. Any other usage of the gun is non-conform. Electron is not responsible for the non-conform usage.



E-GUN C2 Powder Coating Gun

Explosion Protection	Ingress Protection
  II 2D	IP64

Note: Explosion Protection of the E-GUN C2 Powder Coating Gun is only valid if the gun is used with Electron E-COAT Pro V2 Control Unit with proper connections don't by the trained personnel. The control unit must be earthed with a resistance below 1 M Ohm. Unless the right Zones are de ined and the gun is setup without instructed, Electron is not responsible from any damage or potential damage.

Common User Mistakes

- Trying to coat without grounding the part
- Enamel Powder use
- Not calibrating the powder, supplementary and nozzle airs.
- Humid Powder use



Conformity between Products

Electron E-GUN C2 manual electrostatic spray gun can be used with the products below:

- E-COAT Pro V2
- E-FEED V2

2-2. Field of Application

Electrical Data

E-GUN C2 Powder Coating Gun	
Input Voltage (Nominal)	17 Vp-p
Frequency	17 kHz (Average)
Output Voltage (Nominal)	100 kV
Polarity	Minus (Optionally Plus)
Output Current (Max.)	100 μ A
High Voltage Indicator	Gun back LED
Explosion Protection	EX 2mJ T6
Working Temperature	0 °C - +40 °C (32 °F - +104 °F)
Surface Temperature (Max.)	85 °C (+185 °F)
Ingress Protection	IP 64
Certification	  II 2D

Weight

E-GUN C2 Manual Powder Coating Gun	
Weight	505 g

Usable Powders

E-GUN C2 Manual Powder Coating Gun	
Plastic Coating Powder	Conform
Metallic Coating Powder	Conform
Enamel Coating Powder	Non-Conform

2-3. Design and Functions



- | | |
|------------------------------|------------------------------------|
| 1. Nozzle Group | 7. Need Air Input Connection |
| 2. Nozzle Torque Nut | 8. Cable Connection Locking Ring |
| 3. Gun Body (Anti-Static) | 9. Powder Coating Cable Connection |
| 4. Back Hanger (Conductive) | 10. Gun Cable |
| 5. Back Control Button Group | 11. Trigger |
| 6. Gun Grip (Conductive) | |

2-4. Optional Attachments

- FastCorona™ De-Ionizer Ring
- Nozzle Extensions Types
- Different Nozzle Types
- Gun Cable Extension

** For more information please check the Spare Parts Selection Guide.*

FastCorona™ De-Ionizer Ring

FastCorona™ de-ionizer ring is designed to coat especially the notched surfaces. The ring groups the free roaming ions on it so the hard surfaces could be coated in a better fashion and the process also prevents the orange peel effect.

This attachment is preferred on coating applications where the surface coating is very important. Examples like coating Rims, Radiators, Lighting Reflectors where its hard to beat the Faraday Cage Effect with normal application.

The operators can use the E-GUN up until 80mms from the part while coating without doing any damage to the surface and since the attachment is only 40 grams, it doesn't have a negative affect on the usage.

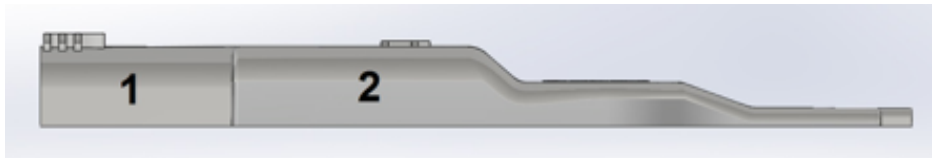


FastCorona™ De-Ionizer Ring

2-5. Working Principle

2-5-1 High Voltage Generation

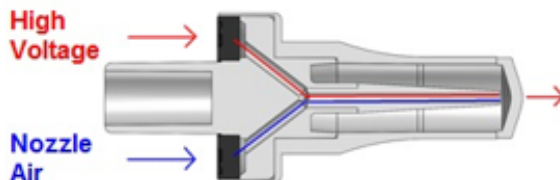
Electrostatic Powder Coating Control Unit sends at most 17 Vp-p valued 17 kHz electrical signal to the E-GUNS. This signal which travels through the gun cable to the gun reaches an item called “Cascade” which multiplies the voltage. This voltage multiplier system is made from two tiers one of which is the transformer (1). This transformer gets the signal up to a voltage and its then delivered to the second tier (2) where there is capacitor and diodes. The signal gets rectified and multiplied. This multiplied signal is delivered to the pre resistor which ensures the safety of the electricity level differences then to the output nozzle group. This high voltage is first loaded to the carbon ring then the tip of the nozzle and transferred to the powder paint while operating.



ELECTRON Voltage Cascade

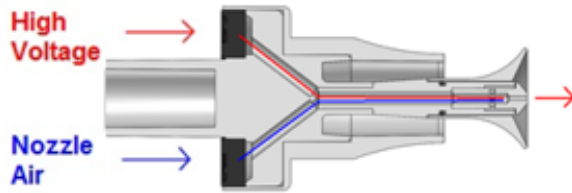
2-5-2 Flat Type Nozzle Structure

Flat Type Nozzle creates a hand fan shape on the powder while operating and also ensures that the powder is loaded as intended. The nozzle loads the high voltage from the output center to the powder. The high voltage electrode reaches to the tip of the nozzle from a white conical material. This conical isolator and the electrode has to stay clean at all times so the nozzle air should be arranged accordingly. Check the E-COAT Master manual for the preference setup.



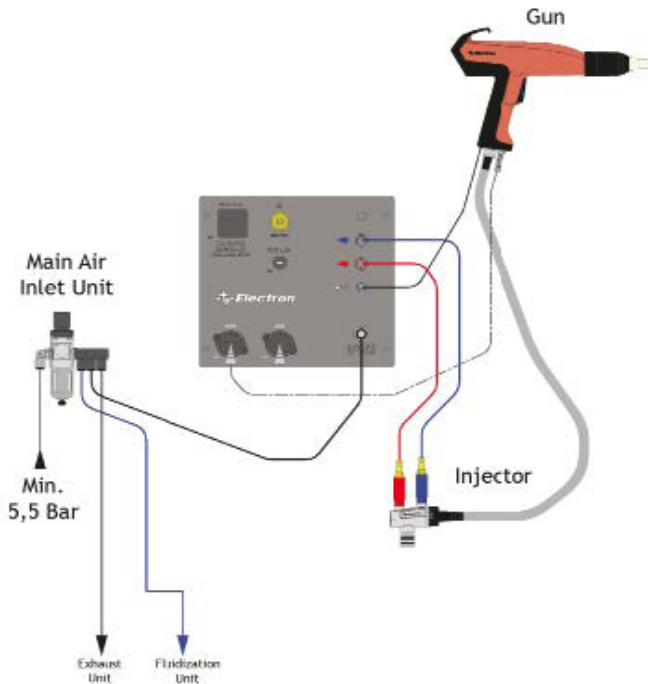
2-5-3 Deflector Type Nozzle Structure

Deflector type nozzle creates a cloud like pattern as the powder paint comes out from the gun. The nozzle loads the powder with high voltage. High voltage electrode travels through a cylindrical white material to the tip of the nozzle. This isolator and the electrode should stay clean at all times so the nozzle air has to be set accordingly. Check the E-COAT Master Control Unit guide for the calibration instructions.



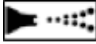
3- Start Up

3-1 System Connections



System Connections

The procedure of the connections between the gun and the control unit is explained below:

- Connect the nozzle air hose and the powder paint hose to the gun.
- Put the connected cable and the gun downwards. Get the “touch and close fastener” from the materials package and tie the hose and the gun cable.
- Put the gun cable into the #1.4 7 pin socket at the back of E-COAT Master Control Unit
- Connect the gun nozzle air hose on the  signed connector at the back of the control unit.
- Connect the Powder Paint hose to the injector.

3-2 Operation

3-2-1 Trigger

E-GUN C2 type electrostatic powder coating gun can be only triggered from the trigger button at the front of the gun handle.

When the gun is triggered, the preferences on the control unit (electrical and pneumatic values) will directly effect the signal on the gun and air will be sent to the injector to transfer powder paint.

E-GUN C2 Manual powder coating gun will light the LED on the control unit and if this button isn't lit, the gun is not triggered.

4- Cleaning and Maintenance

4-1-1. Gun Body Cleaning

Daily:

- Clean the body of the gun with pressurized air and a clean towel.
- Remove the nozzle torque nut.
- Remove the gun nozzle and the electrode and clean the gun with pressurized air.

Weekly:

- Remove the powder paint hose.
- Clean the powder paint input of the gun with pressurized air.
- Clean the powder paint hose starting from the injector.

4-1-2. Nozzle Cleaning

Every other shift or at the end of a working day:

- Remove the nozzle torque nut.
- Remove the gun nozzle and clean both the electrode and the nozzle.
- Clean all the powder thoroughly. Never try to scratch the paint with a strong material.

Weekly:

- Check the nozzle group for scratches. Change the nozzle group using the spare parts list if needed.

4-2 Maintenance

E-GUN C2 type manual powder coating gun is designed to be maintained with minimum effort.

- Clean the powder gun body with a clean towel.
- Make an eye check on the gun cable and input hoses.
- Change the powder and pneumatic hoses if needed.

Part Change

The user can only change the consumables of the gun and some of the E-GUN C2 manual powder coating gun parts.

Note: Operations like Changing the Cascade, Trigger mechanism or Gun Cable can only be done by an ELECTRON® approved personnel.

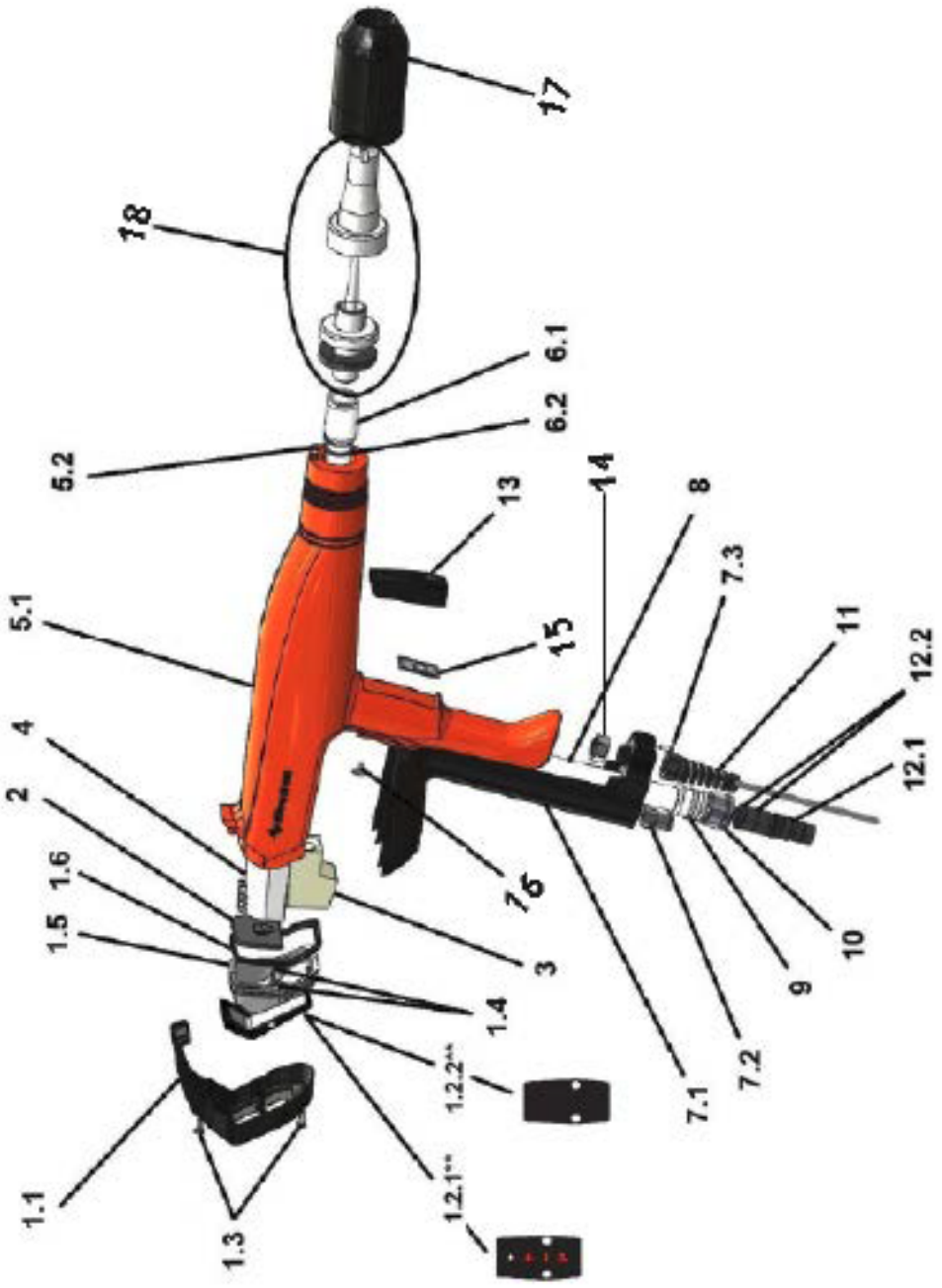
5- Troubleshooting

Troubleshoot Code	Explanation	Suggestions
There isn't any high voltage and the control unit is flashing with kV and μ A signs.	<ol style="list-style-type: none"> 1. Gun cable is not connected. 2. The gun cable is connected but not well fixed to the socket 3. Gun cable is damaged. 4. Cascade is damaged. 	<ol style="list-style-type: none"> 1. Connect the gun hose. 2. Fix the cable to the socket. 3. Consult an ELECTRON expert. 4. Consult an ELECTRON expert.
Powder Paint is being blown from the gun but the paint doesn't hold on the material (No High Voltage Output)	<ol style="list-style-type: none"> 1. The material is not earthed 2. the kV or μA parameter is set to 0 3. The signal from the gun does not reach to the Cascade. 	<ol style="list-style-type: none"> 1. Earth the material or improve the grounding. 2. Set the kV or μA parameter above 0. 3. Consult an ELECTRON expert.
The gun trigger is working and the High Voltage is working but there is no powder output.	<ol style="list-style-type: none"> 1. Blockage in the powder route 2. The Air or Powder Ratio segment is set to 0 3. Tearing or disconnection between the injector and the control unit. 4. If the preferences are adjusted in a well manner, the proportional valve inside the gun might be damaged 	<ol style="list-style-type: none"> 1. Blockage in the powder route 2. The Air or Powder Ratio segment is set to 0 3. Tearing or disconnection between the injector and the control unit. 4. Consult and ELECTRON expert
Pressing the trigger doesn't start the control unit (The LED in front of the control unit is not lit)	<ol style="list-style-type: none"> 1. Gun trigger is damaged 	<ol style="list-style-type: none"> 1. Consult and ELECTRON expert
Parameters at the installation are configured but the powder pattern is not well.	<ol style="list-style-type: none"> 1. Teflon bushing in the injector's life cycle is ended. 2. Nozzle life cycle is ended. 3. Pneumatic hoses are damaged/broken or plugged. 4. The air channels are plugged. 5. Injector jet's life cycle is ended 	<ol style="list-style-type: none"> 1. Change the Teflon bushing. 2. Change the nozzle 3. Fix the pneumatic hoses or change them if needed. 4. Clean the injector and the filters. Change any necessary parts. 5. Change the injector jet.

6- Spare Parts List



PN #	ORDER CODE	PART NAME	CONSUMABLE
1	B07EGC200	E-GUN C2 MANUAL POWDER COATING GUN	N/A



PART #	ORDER CODE	PART NAME	WEARING PART	RECOMMENDED STOCK PARTS
1	B07BC0002	E-GUN C1 BACK COVER GROUP (COMPLETE)	N/A	*
1.1	ENEM01035	E-GUN C1/C2 BACK COVER OUTER PLASTIC (CONDUCTIVE)	N/A	N/A
1.2.1**	B07LG5005	E-GUN MANUAL GUN REAR KEYPAD MEMBRANE	N/A	N/A
1.2.2**	ETKT03028	E-GUN REAR KEYPAD LEXAN (%100 FIREPROOF MATERIAL)	N/A	N/A
1.3	BECV01001	M3X8 YSB BOLT	N/A	N/A
1.4	BECV09001	3X6,5 SCREW for PLASTIC	N/A	N/A
1.5	ENEM01036	E-GUN REAR COVER BUTTON BODY	N/A	N/A
1.6	ENEM04003	E-GUN REAR COVER MEMBRANE GASKET	N/A	N/A
2	ENEM04004	E-GUN CASCADE INSULATION GASKET	N/A	N/A
3	ENEM01031	E-GUN MANUAL GUN MEDIUM PART		*
4	B07EGCN01	E-CASCADE	N/A	*
5	B07EC0001	E-GUN PLASTIC BODY (COMPLETE)	N/A	*
5.1	ENEM01029	E-GUN MANUAL GUN PLASTIC BODY (COMPLETE)	N/A	N/A
5.2	B07520007	E-GUN NOZZLE AIR FILTER UNIT	N/A	N/A
6	B07EC0002	E-GUN C1/C2 TOP POWDER PIPE (W/ O-RING)	N/A	*
6.1	ENEM01032	E-GUN MANUAL GUN TOP POWDER PIPE	N/A	N/A
6.2	IZOR01005	O-RING Ø15X2 NBR70	N/A	N/A
7	B07EC0003	E-GUN C1/C2 HANDLE (COMPLETE)	N/A	N/A
7.1	ENEM01030	E-GUN MANUAL GUN HANDLE	N/A	N/A
7.2	PNRD01012	FITTING MALE STRAIGHT PNEUMATIC Ø6-M5 INTERNAL COMPRESSION	N/A	*
7.3	BECV01001	M3X8 YSB BOLT	N/A	N/A
8	ENEM01033	E-GUN MANUAL GUN BOTTOM POWDER PIPE (WITHOUT O-RING)	N/A	*
9	BEDH09003	E-GUN HOSE CONNECTOR SPRING	N/A	*
10	TRTM04009	E-GUN LOCKING RING OF HOSE CONNECTION	N/A	*
11	B07528005	E-GUN MANUAL GUN GUN CABLE (5m)	N/A	*
12	B07EC0004	E-GUN HOSE FITTINGS (W/ O-RING)	N/A	*
12.1	TRTM03005	E-GUN POWDER HOSE CONNECTION	N/A	N/A
12.2	IZOR02001	O-RING Ø12X1,5 SILICONE	N/A	N/A
13	B07520012	PLASTIC OF E-GUN MANUAL GUN TRIGGER (COMPLETE)	N/A	N/A
14	TRTM04016	COMPRESSION RING OF E-GUN GUN-CABLE	N/A	*
15	B07LG5006	MAGNETIC TRIGGER SET OF E-GUN MANUAL GUN	N/A	*
16	BECV01030	M3X10 TAPTILITY SCREW	N/A	N/A
17	B07524002	E-GUN NOZZLE TIGHTENING NUT	N/A	N/A
18		PLEASE CHECK NOZZLE TYPES SELECTION LIST		

**Part #1.2.1 or #1.2.2 Manual Gun Type (C1 or C2) should be considered before ordering.



L = 5 m
L = 10 m

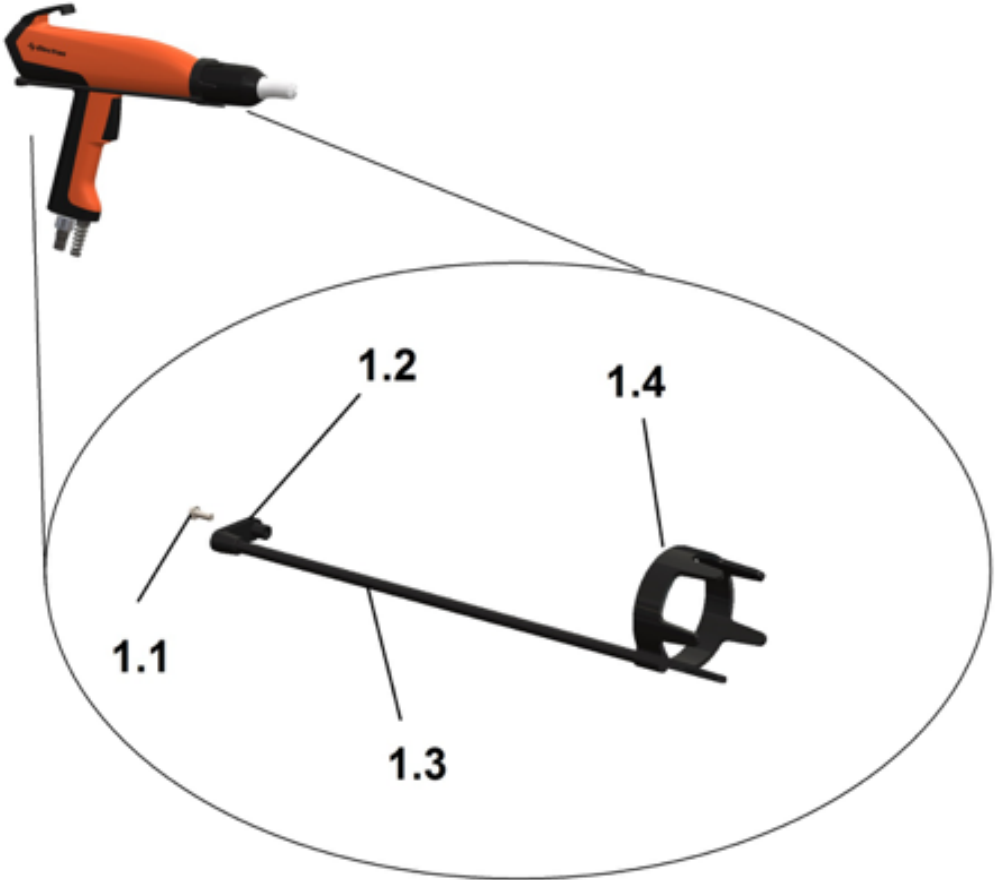
PART #	ORDER CODE	PART NAME	WEARING
1	B07EXT005	GUN CABLE EXTENSION KIT (5 m)	N/A
2	B07EXT006	GUN CABLE EXTENSION KIT (10 m)	N/A



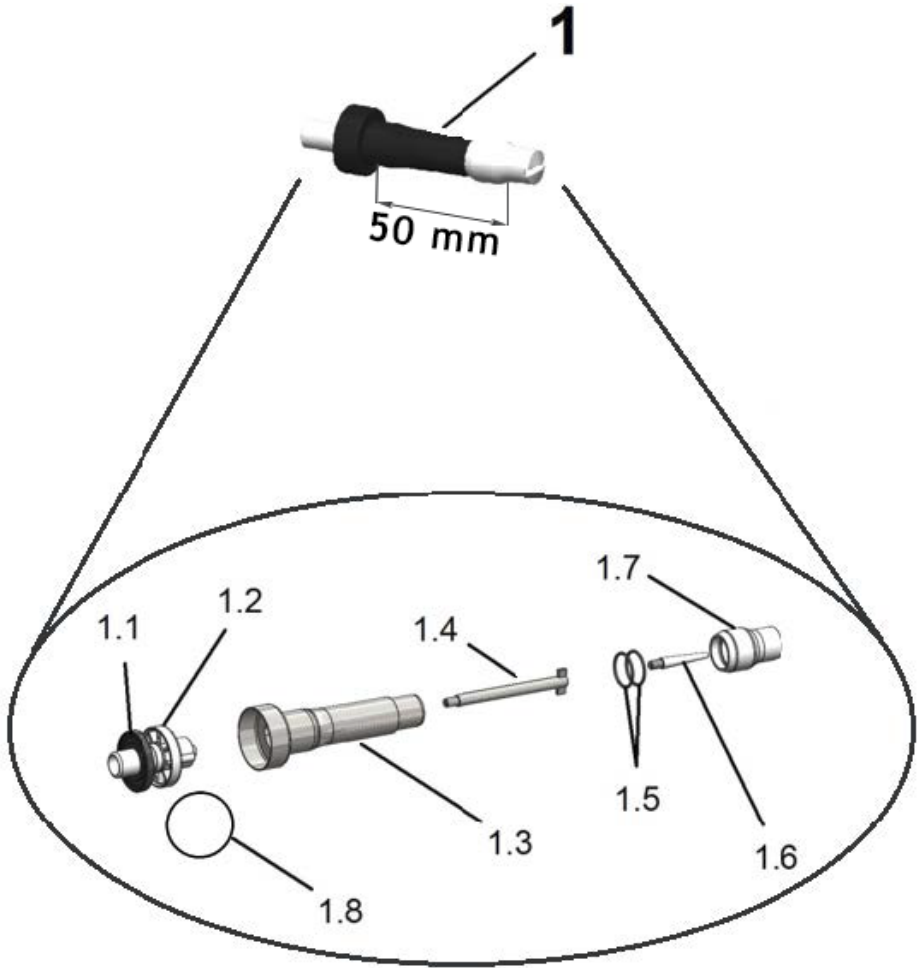
PART #	ORDER CODE	PART NAME	WEARING
1	PNHO03003	GUN CABLE EXTENSION KIT (Order in meters)	N/A



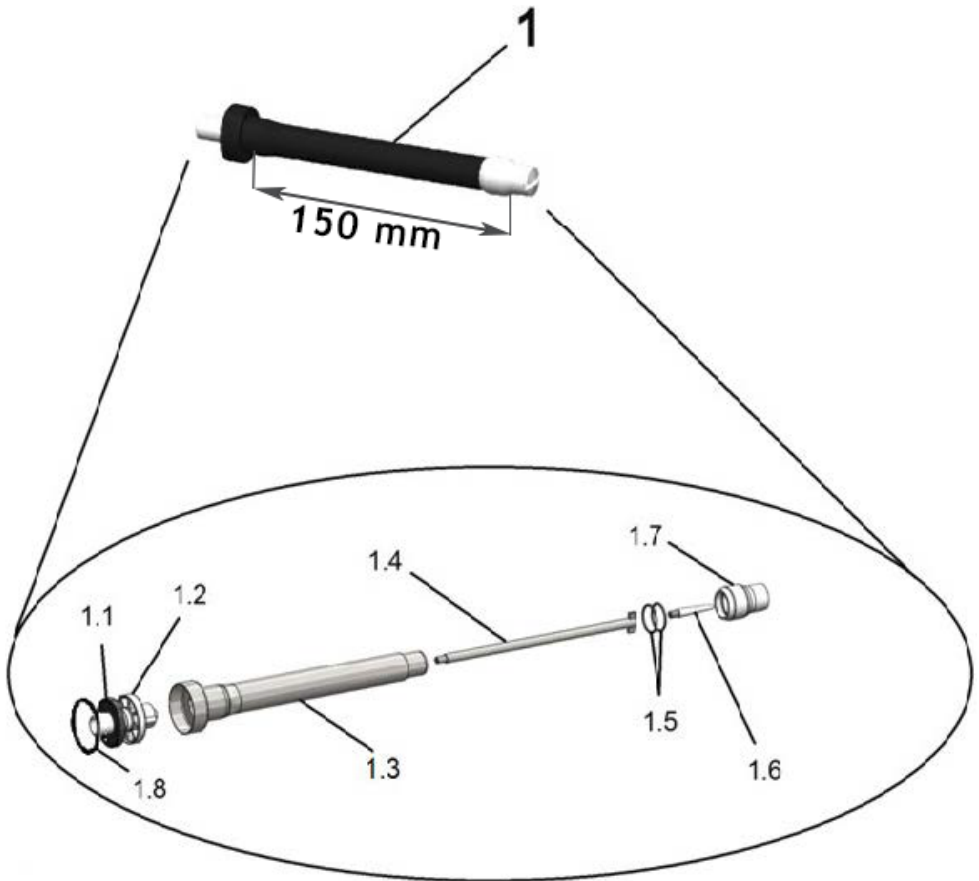
PART #	ORDER CODE	PART NAME	WEARING
1	B07ECK506	E-COAT EARTHING CABLE (3m)	N/A



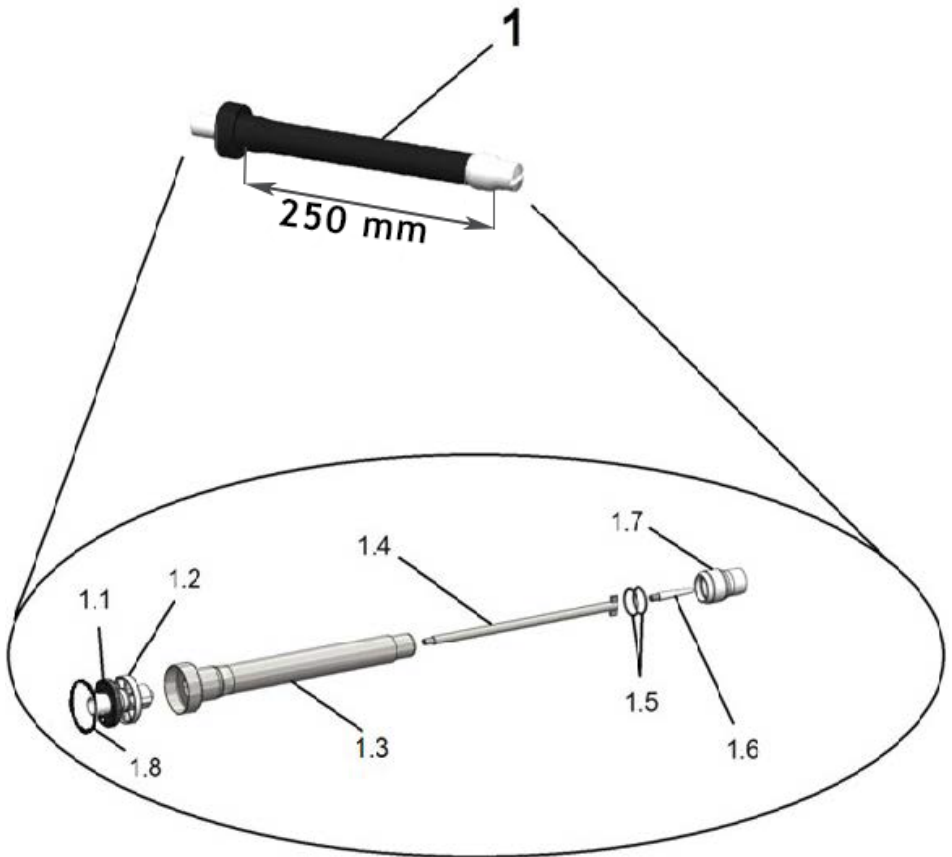
PART #	ORDER CODE	PART NAME	WEARING PART	RECOMMENDED STOCK PARTS
1	B07FCR002	E-GUN C1/C2 FAST CORONA DE-IONIZER UNIT (COMPLETE)	N/A	N/A
1.1	BECV01003	M3X15 YSB BOLT	N/A	N/A
1.2	TRTM07002	E-GUN C1/C2 FAST CORONA UNIT BACK COVER CONNECTOR	N/A	N/A
1.3	TRTM08014	E-GUN C1/C2 FAST CORONA UNIT SPACER	N/A	N/A
1.4	TRTM04015	E-GUN FAST CORONA UNIT CHARGE COLLECTOR	N/A	N/A



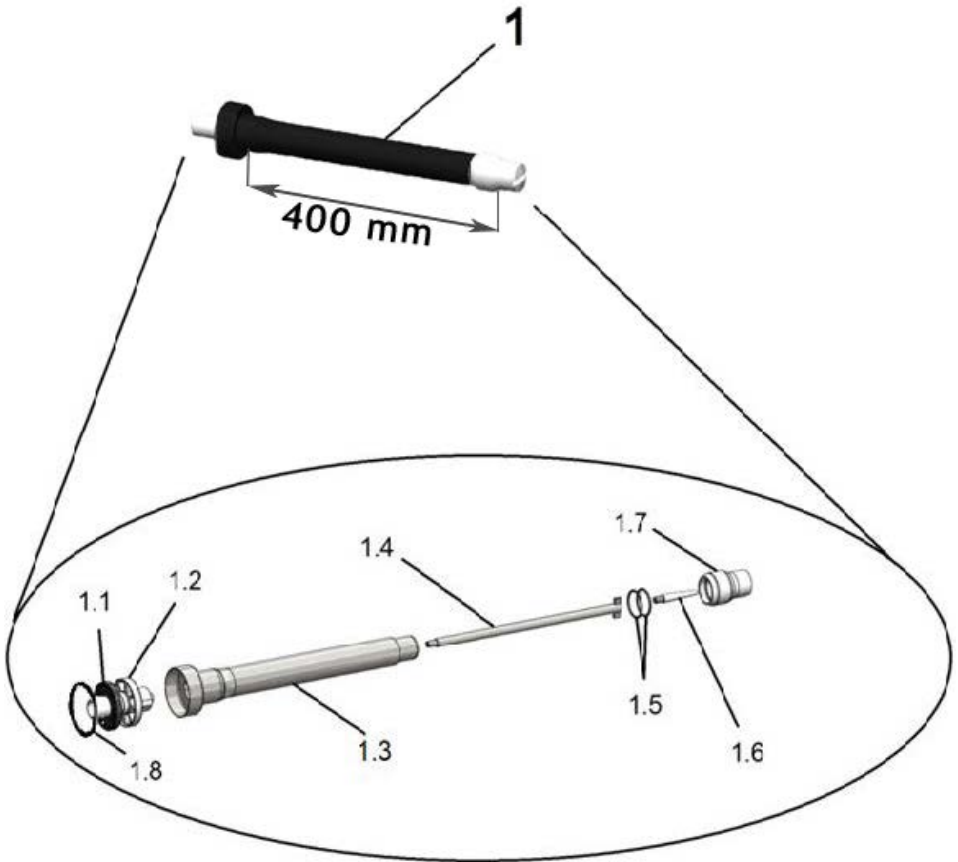
PART #	ORDER CODE	PART NAME	WEARING PART
1	B07EXT008	E-GUN 50mm EXTENSION HEAD GROUP (COMPLETE)	N/A
1.1	TRTM08012	E-GUN Ø35 CARBON RING	*
1.2	B07524004	E-GUN ELECTRODE BODY -RESISTANT	*
1.3	B07525013	E-GUN 50mm EXTENSION ELECTRODE (COMPLETE)	N/A
1.4	B07525014	E-GUN 50mm RESISTANCE SHAFT OF EXTENSION ELECTRODE (COMPLETE)	N/A
1.5	IZOR01007	O-RING 18x1,5 NBR70	N/A
1.6	TRTM01022	E-GUN FLAT HEAD GROUP CONICAL ISOLATOR	*
1.7	TRTM01024	E-GUN EXTENSION/ANGLED ELECTRODE-FLAT HAT	*
1.8	IZOR01026	O-RING Ø30X1,5 NBR70	*



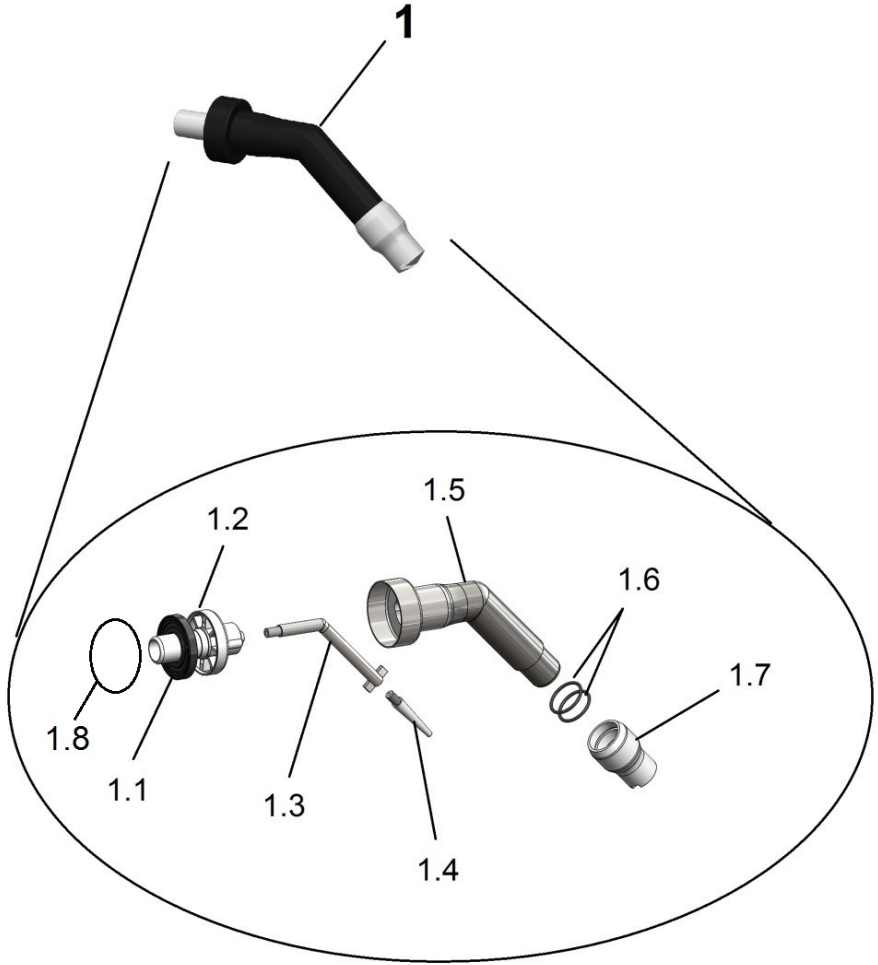
PART #	ORDER CODE	PART NAME	WEARING PART
1	B07EXT001	E-GUN 150mm EXTENSION HEAD GROUP (COMPLETE)	N/A
1.1	TRTM08012	E-GUN Ø35 CARBON RING	*
1.2	B07524004	E-GUN ELECTRODE BODY -RESISTANT	*
1.3	B07525003	E-GUN 150mm EXTENSION ELECTRODE (COMPLETE)	N/A
1.4	B07525001	E-GUN 150mm RESISTANCE SHAFT OF EXTENSION ELECTRODE (COMPLETE)	N/A
1.5	IZOR01007	O-RING 18x1,5 NBR70	N/A
1.6	TRTM01022	E-GUN FLAT HEAD GROUP CONICAL ISOLATOR	*
1.7	TRTM01024	E-GUN EXTENSION/ANGLED ELECTRODE-FLAT HAT	*
1.8	IZOR01026	O-RING Ø30X1,5 NBR70	*



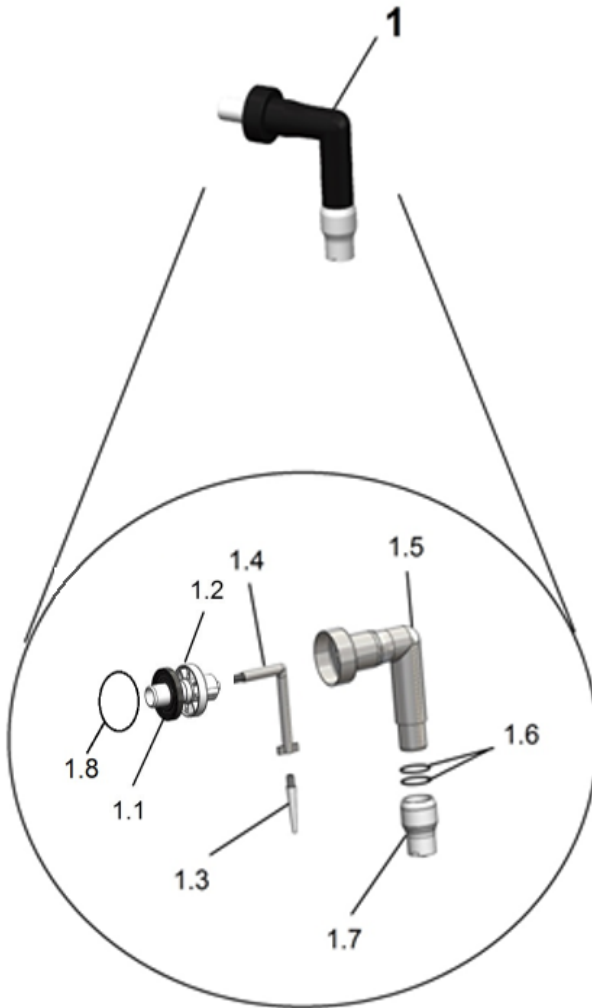
PART #	ORDER CODE	PART NAME	WEARING PART
1	B07EXT002	E-GUN 250mm EXTENSION HEAD GROUP (COMPLETE)	N/A
1.1	TRTM08012	E-GUN Ø35 CARBON RING	*
1.2	B07524004	E-GUN ELECTRODE BODY - RESISTANT	*
1.3	B07525006	E-GUN 250mm EXTENSION ELEKTRODE (COMPLETE)	N/A
1.4	B07525005	E-GUN 250mm RESISTANCE SHAFT OF EXTENSION ELECTRODE (COMPLETE)	N/A
1.5	IZOR01007	O-RING 18x1,5 NBR70	N/A
1.6	TRTM01022	E-GUN FLAT HEAD GROUP CONICAL ISOLATOR	*
1.7	TRTM01024	E-GUN EXTENSION/ANGLED ELECTRODE-FLAT HAT	*
1.8	IZOR01026	O-RING Ø30x1,5 NBR70	*



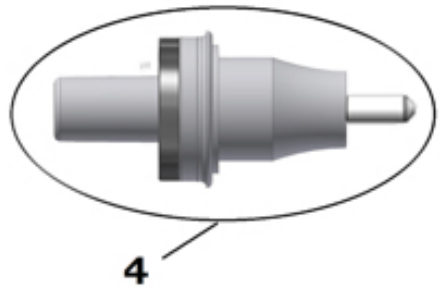
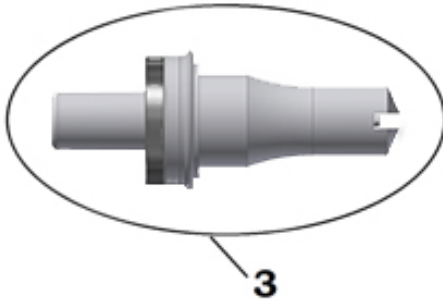
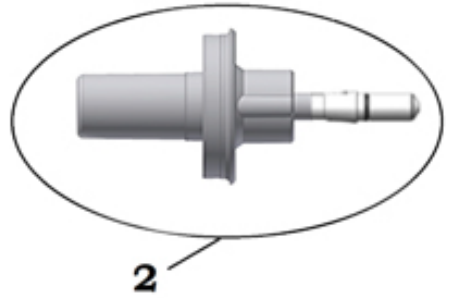
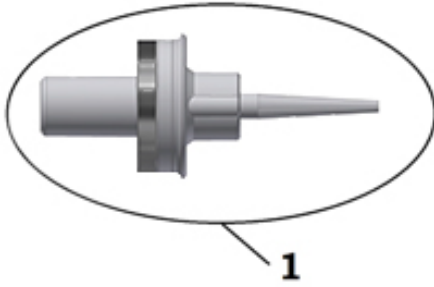
PART #	ORDER CODE	PART NAME	WEARING PART
1	B07EXT007	E-GUN 400mm EXTENSION HEAD GROUP (COMPLETE)	N/A
1.1	TRTM08012	E-GUN Ø35 CARBON RING	*
1.2	B07524004	E-GUN ELECTRODE BODY - RESISTANT	*
1.3	B07525011	E-GUN 400mm EXTENSION ELEKTRODE (COMPLETE)	N/A
1.4	B07525012	E-GUN 400mm RESISTANCE SHAFT OF EXTENSION ELECTRODE (COMPLETE)	N/A
1.5	IZOR01007	O-RING 18x1,5 NBR70	N/A
1.6	TRTM01022	E-GUN FLAT HEAD GROUP CONICAL ISOLATOR	*
1.7	TRTM01024	E-GUN EXTENSION/ ANGLED ELECTRODE-FLAT HAT	*
1.8	IZOR01026	O-RING Ø30X1,5 NBR70	*



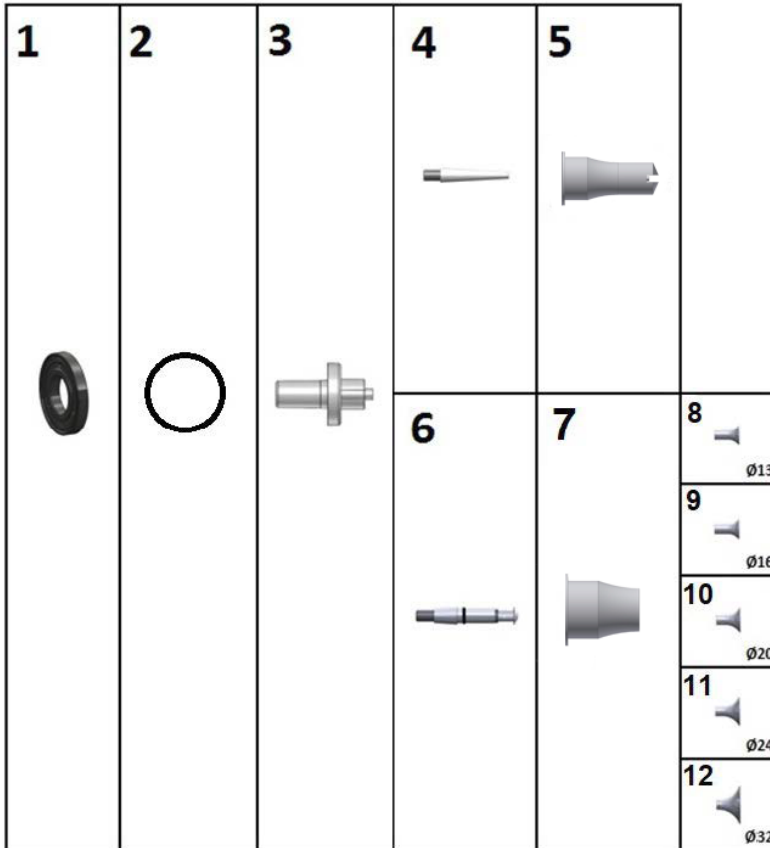
PART #	ORDER CODE	PART NAME	WEARING PART
1	B07EXT003	E-GUN 45° ANGLED HEAD GROUP (COMPLETE)	N/A
1.1	TRTM08012	E-GUN Ø35 CARBON RING	*
1.2	B07524004	E-GUN ELECTRODE BODY - RESISTANT	*
1.3	C07525007	E-GUN RESISTANCE SHAFT OF 45° ANGLED HEAD GROUP	N/A
1.4	TRTM01022	E-GUN FLAT type HEAD GROUP CONICAL ISOLATOR	*
1.5	B07525008	E-GUN ANGLED ELECTRODE OF 45° ANGLED HEAD GROUP	N/A
1.6	IZOR01007	O-RING 18x1,5 NBR70	N/A
1.7	TRTM01024	E-GUN EXTENSION/ANGLED ELECTRODE - FLAT HAT	*
1.8	IZOR01026	O-RING Ø30X1,5 NBR70	*



PART #	ORDER CODE	PART NAME	WEARING PART
1	B07EXT004	E-GUN 90° ANGLED HEAD GROUP (COMPLETE)	N/A
1.1	TRTM08012	E-GUN Ø35 CARBON RING	*
1.2	B07524004	E-GUN ELECTRODE BODY - RESISTANT	*
1.3	TRTM01022	E-GUN FLAT type HEAD GROUP CONICAL ISOLATOR	N/A
1.4	B07525010	E-GUN RESISTANCE SHAFT OF 90° ANGLED HEAD GROUP	*
1.5	B07525009	E-GUN ANGLED ELECTRODE OF 90° ANGLED HEAD GROUP	N/A
1.6	IZOR01007	O-RING 18x1,5 NBR70	N/A
1.7	TRTM01024	E-GUN EXTENSION/ANGLED ELECTRODE - FLAT HAT	*
1.8	IZOR01026	O-RING Ø30X1,5 NBR70	*



PART #	ORDER CODE	PART NAME	WEARING PART	RECOMMENDED STOCK PARTS
1	B07524000	E-GUN FLAT TYPE ELECTRODE ASSEMBLY (COMPLETE)	N/A	*
2	B07523000	E-GUN DEFLECTOR TYPE ELECTRODE ASSEMBLY (COMPLETE)	N/A	*
3	B07524001	E-GUN FLAT TYPE NOZZLE (COMPLETE)	N/A	*
4	B07523001	E-GUN DEFLECTOR TYPE NOZZLE (COMPLETE)	N/A	*



PART #	ORDER CODE	PART NAME	WEARING PART	RECOMMENDED STOCK PARTS
1	TRTM0801212	E-GUN Ø35 CARBON RING	*	*
2	IZOR01026	O-RING Ø30X1,5 NBR70	*	*
3	B07524004	E-GUN ELECTRODE BODY	*	*
4	TRTM01022	E-GUN FLAT type NOZZLES CONICAL ISOLATOR	*	*
5	TRTM01023	E-GUN FLAT NOZZLE	*	*
6	B07524502	E-GUN HEADGROUP SHAFT SET W/ DEFLECTOR	*	*
7	TRTM01021	E-GUN DEFLECTOR NOZZLE	*	*
8	TRTM03013	E-GUN Ø13 DEFLECTOR	*	*
9	ENEM01044	E-GUN Ø16 DEFLECTOR	*	*
10	ENEM01045	E-GUN Ø20 DEFLECTOR	*	*
11	ENEM01046	E-GUN Ø24 DEFLECTOR	*	*
12	ENEM01067	E-GUN Ø32 DEFLECTOR	*	*

7- Service and Maintenance Table

DATE	MAINT. TYPE -Weekly -Yearly -Service	MAINT. OR SERVICE PERSONNEL	PROCEDURE CHANGED PARTS NOTES	CONTROL SUPERVISOR

8- Product Life and Warranty

1. Product Life

- The economic life of the gun is approximately 10 years.
- This product life is highly dependent on the periodic maintenances and spare part changes in a timely manner. Improper maintenance will lead to lower product life.
- SİSTEM TEKNİK A.Ş. warrants supplying the needed service and the spare parts for the entire product life.

2. Warranty and Warranty Conditions

- The gun is warranted for production and parts failure for 2 (two) years.
- Spare parts that are changed from the warranty are free-of-charge.
- The parts that are supplied in the system which are not produced by SİSTEM TEKNİK A.Ş. are warranted with their own manufacturers and their own conditions.
- SİSTEM TEKNİK A.Ş. will not be held responsible for the improper usage of the machine or any unauthorized usage. These are not in the warranty.

3. Operating Conditions

- Read the user manual before using the gun.
- Only legally allowed people can operate the gun.
- Only trained and authorized people can operate the gun.
- SİSTEM TEKNİK A.Ş.'s suggested spare parts should be used at all times.
- Proper maintenance has to be done and the spare parts has to be changed in a timely manner
- The operational safety has to be assured by the customer; the operators who are not capable of working under safety rules shouldn't be operating the Control Unit
- All the suggestions and warnings in this manual have to be carefully considered and applied.



MERKEZ OFİS / Head Office

✉ info@electron.com.tr

☎ +90 (212) 222 2 345

📠 +90 (212) 210 6 761

📍 PERPA Tic. Mer. B.Blok Kat:2 No: 65
34385 Okmeydanı İSTANBUL / TÜRKİYE

FABRİKA / Factory

✉ izmir@electron.com.tr

☎ +90 (232) 799 0 232

📠 +90 (232) 799 0 242

📍 İTOB Org. San. Bölgesi 10010 Sk. No: 10
35470 Menderes İZMİR / TÜRKİYE



www.electron.com.tr

